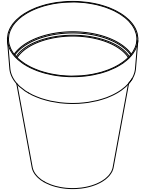


pw-s01

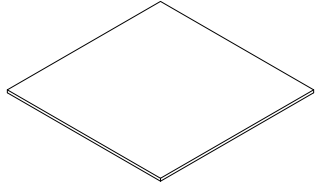


pot

h 475 mm x d 400 mm

x 1

20.95 €

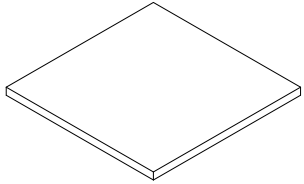


rubber mat

600 × 600 × 10 mm

x 1

12.50 €

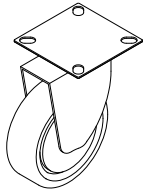


wooden board

400 × 400 × 20 mm

x 1

8.64 €



rotating wheels

h min 100 mm

x 4

7.40 €



flat head screws

m4 × 15

x 16

7.69 € / 75 stk.

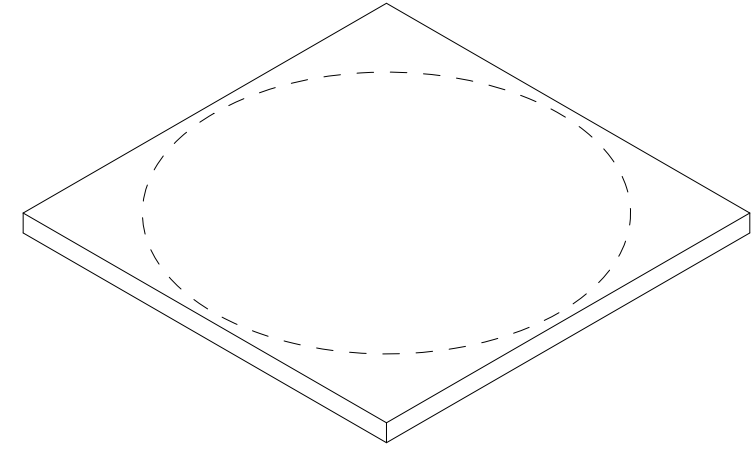
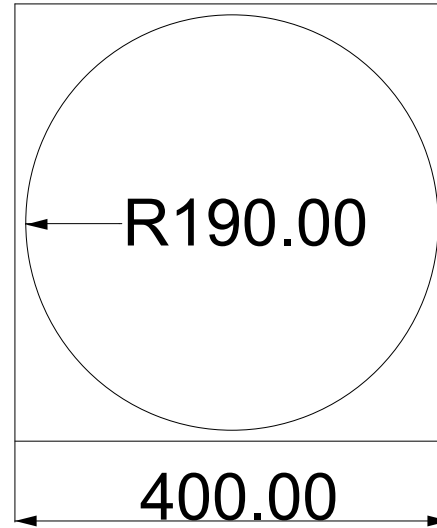
pw-s01

1 use the jigsaw to cut a round with a radius of 190 mm from the wooden board

-

wooden board 400 × 400 × 19 mm

jigsaw

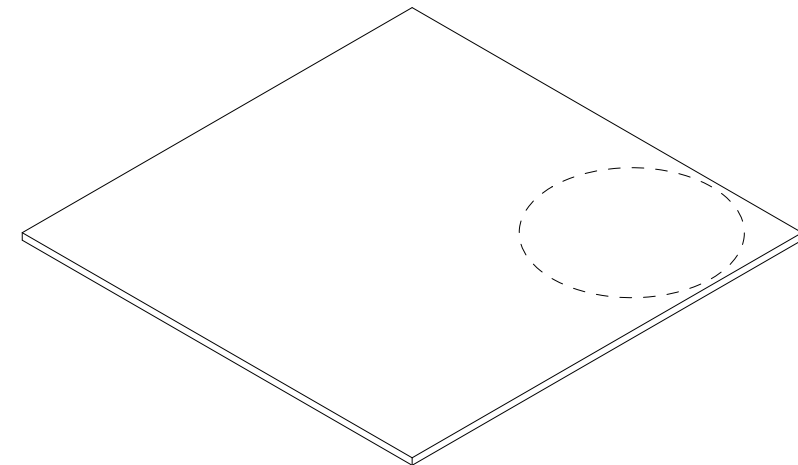
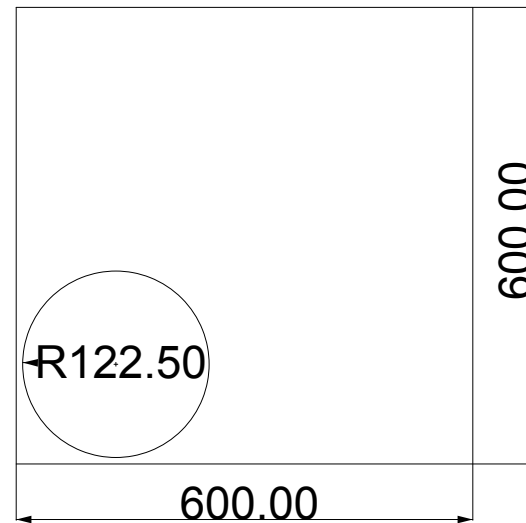


2 use the cutter to cut a round with a radius of 122.5 mm from the rubber mat

-

rubber mat

cutter



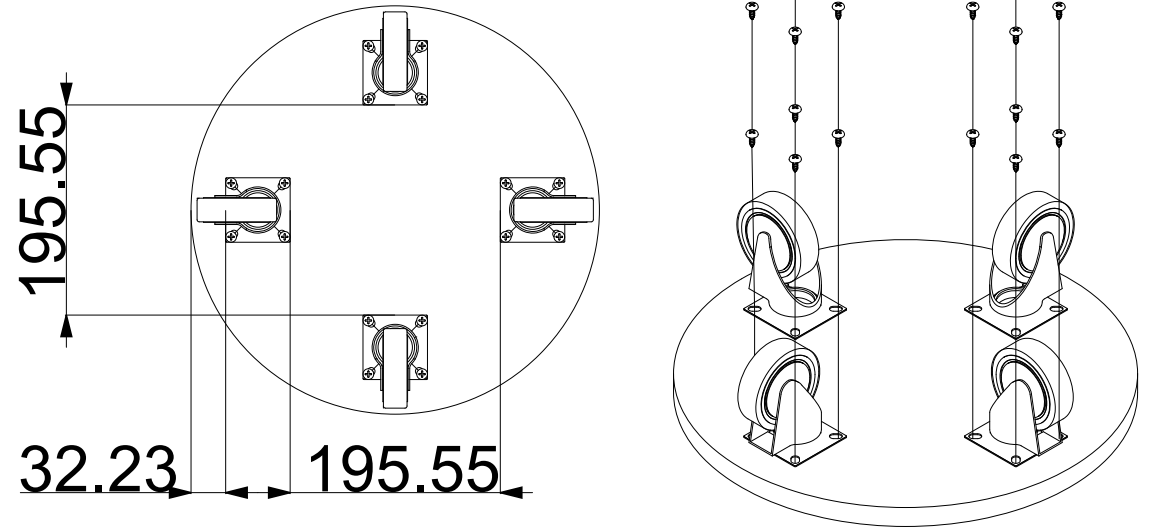
pw-s01

3 screw the wheels to the wooden round using the given dimensions

-

wooden round
turning wheels

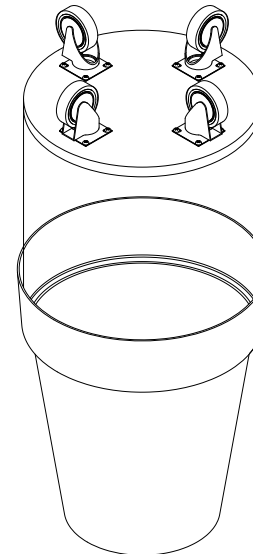
flat head screws
screwdriver



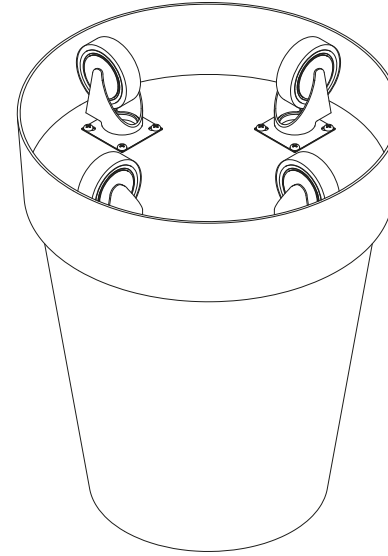
4 place the wooden board with the mounted wheels inside the pot

-

wooden round
pot



5 press the wooden board into the pot

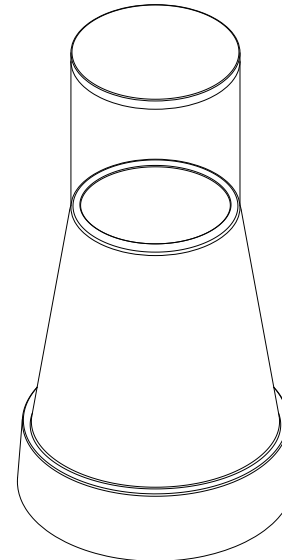


6 glue rubber round on pot

-

pot
rubber round

glue gun



pw-s01 is an understated and functional stool that is particularly suitable for working or flexible sitting with its wheels.

all you need is a cordless screwdriver, a jigsaw, a scale, a cross bit, a cutter and a glue gun. all the parts you need are listed in the parts list. for the construction you do not even need 80 bucks and an hour to build.

misuse defines a new approach of how furniture can be designed sustainably and made available democratically today. this approach is together with the criticism of predominant industrial patterns manifested in the objects themselves.

what? functional and appealing objects for the private context that can be built by oneself, using only existing products as well as semi-finished and finished parts, which can be bought in the local hardware store for little money.

how? any object can easily be built by using the open source misuse manuals. no special knowledge or professional tools are needed for the construction. in the manuals you will find a list of all necessary parts and their prices, a list of required tools, the building instructions themselves and an approximate indication of time needed.

why? by using already existing products as well as semi-finished and finished parts from the hardware store, the objects do not consume any new resources. in this way, the objects save the environment, set a statement against industrial consumption and make good design democratically accessible to everyone. sidefact: they are fun to build!